



## 2/2-way ball valve with electric rotary actuator, ball valve in plastic, DN 10-50

- Suitable for aggressive media
- High flow rate valve
- Actuator with adjustable limit switches
- Visual position indicator
- Safe blocked union nuts with Dual Block® Technology<sup>1</sup>

Type 8804 can be combined with...



**Type 2672**

Metal butterfly valve



**Type 2675**

Plastic butterfly valve



**Type 8804**

Stainless steel ball valve, 2 pieces



**Type 8804**

Stainless steel ball valve, 3 pieces

The electric ball valve Type 8804 consists of an electrical rotary actuator and a 2/2-way ball valve made of plastic. Different housings and materials are available for various applications. The rotary actuator is compactly built. It can be used also as single device for the operation of other control members (see datasheet Type 3003).

### Special features

The ball valves are equipped with the so-called Dual Block® Technology. This System allows you to lock the union nuts in the preset position. It prevents them separating during operation.

Technical data	
<b>Body material</b>	PVC-U, PP, (PVDF, PVC-C, ABS on request)
<b>Seal material</b>	PTFE/EPDM, PTFE/FKM
<b>Media</b>	Gaseous and liquid media, which do not attack the housing and sealing materials
<b>Media temperature</b> PVC-U PP PVDF	(see diagram Pg. 3) 0 to +60°C +10 to +80°C 0 to +120°C
<b>Ambient temperature</b>	-10 to +55°C
<b>Port connections</b> PVC-U, PP, (PVDF on request)	True union
<b>Operating pressure</b>	0-10 bar; 0-16 bar
<b>Connection</b> between actuator and ball valve	Flange acc. to ISO 5211
<b>Operating voltage</b>	24 V AC/DC, 100-240 V AC/50-60 Hz (other voltages on request)
<b>Voltage tolerance</b>	DC: +/-20%; AC: +/-10%
<b>Duty rating</b>	At max. torque: 50% of the time
<b>Electrical connection</b>	2 cable glands ISO M20 (cable plug EN175301-803 on request)
<b>Protection class</b>	IP65
<b>Rotation angle</b>	90° (+/-5°)
<b>Rotation time</b>	see ordering chart
<b>Limit switches</b>	4 adjustable (2 for motor and 2 additional for feedback) max. 250 V AC/1.5 A
<b>Material</b> cover housing axis/screws gear unit	ABS PA Stainless steel Steel, PC
<b>Installation</b>	Don't mount the actuator upside down

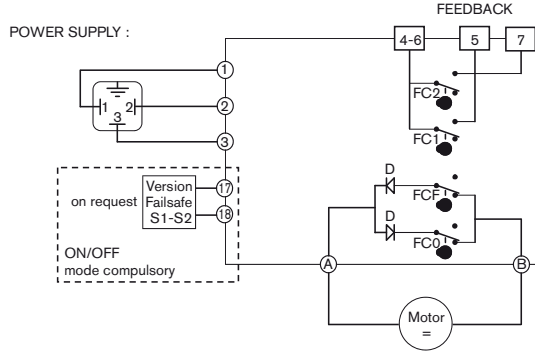
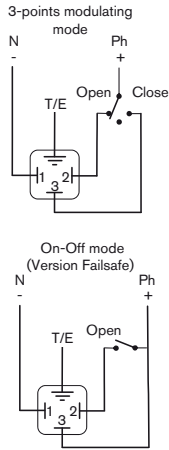
<sup>1</sup> Dual Block® Technology is a registered trademark of FIP - Formatura Iniezione Polimeri S.p.A

Electrical connection

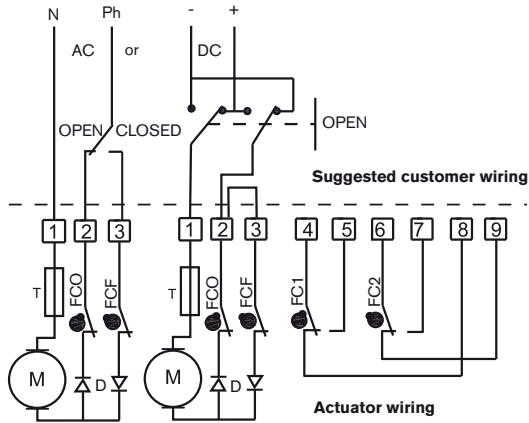
Switch drawings

100 - 240 V AC/50-60 Hz multivolt version

SUGGESTED CUSTOMER WIRING



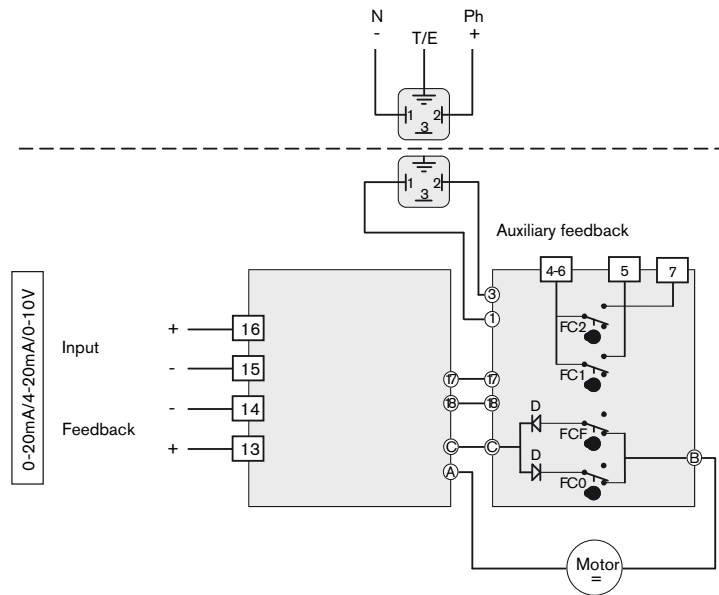
24 V AC/DC standard version



## Electrical connection, continued

100 - 240 V AC and 24 V AC/DC

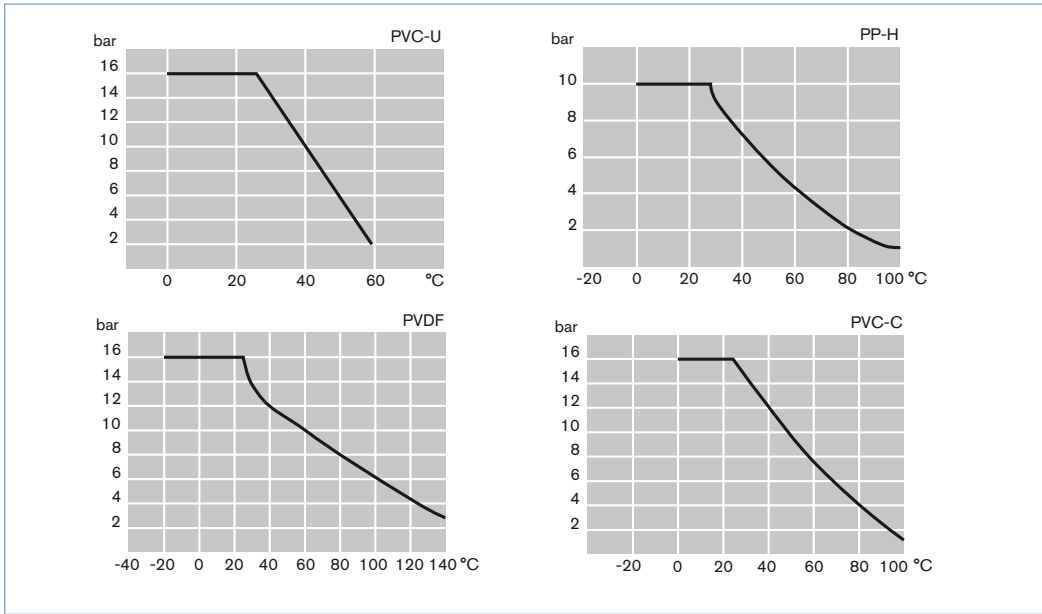
Version with analog input signal (on request)



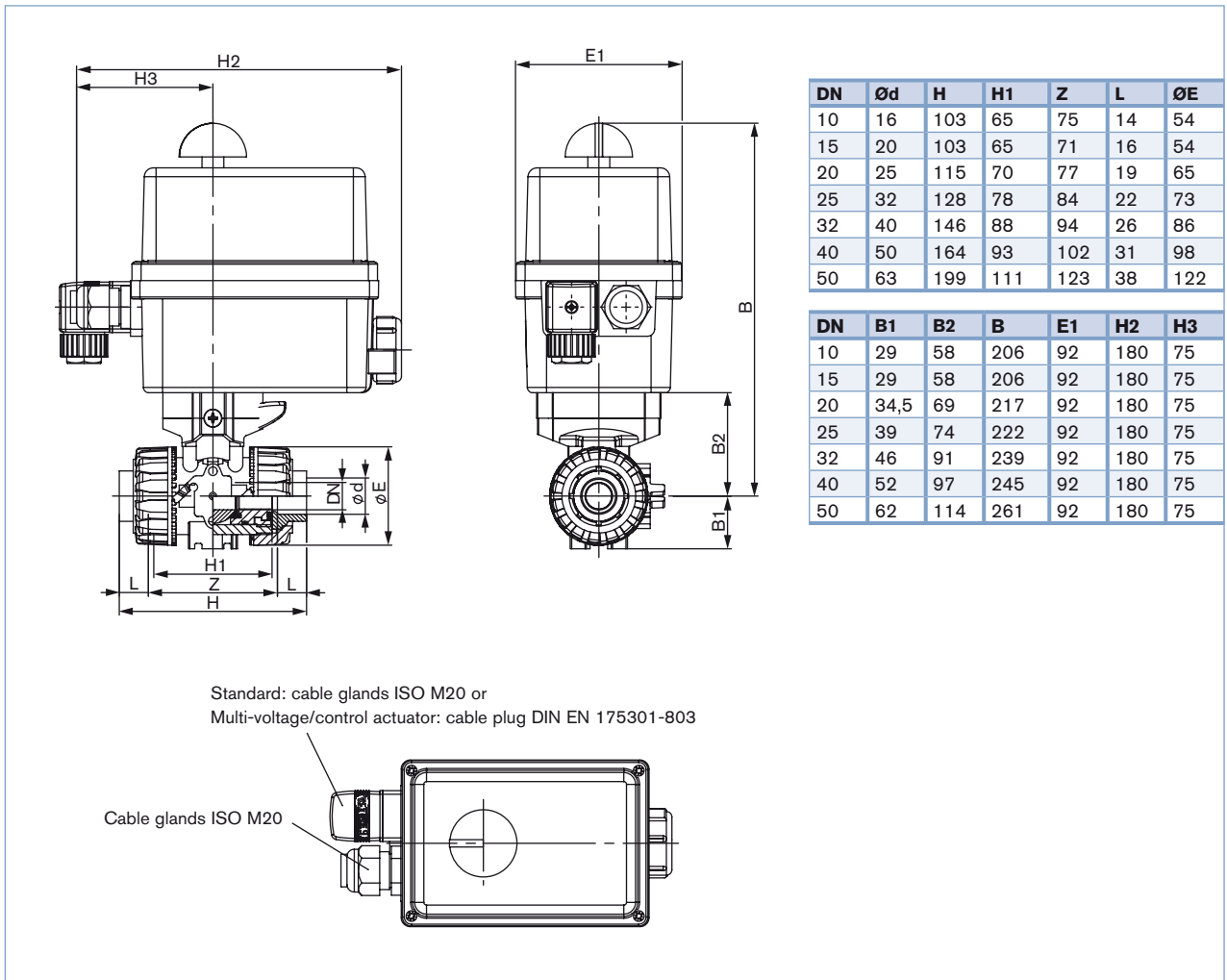
Symbol	Description
FCO	Open limit switch
FCF	Close limit switch
FC1	Auxiliary 1 limit switch
FC2	Auxiliary 1 limit switch
M	Motor
T	Thermal fuse

Symbol	Description
D	Diode
C	Capacitor
P	Potentiometer
H	Heating resistor
J7	Heating resistor connection
J8	Potentiometer connector

Pressure Temperature Chart



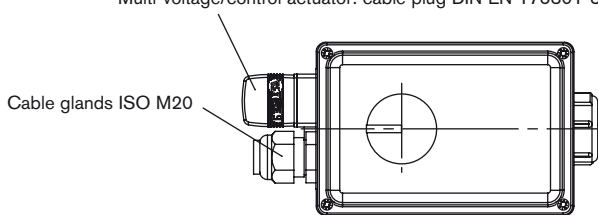
Dimensions [mm]



DN	Ød	H	H1	Z	L	ØE
10	16	103	65	75	14	54
15	20	103	65	71	16	54
20	25	115	70	77	19	65
25	32	128	78	84	22	73
32	40	146	88	94	26	86
40	50	164	93	102	31	98
50	63	199	111	123	38	122

DN	B1	B2	B	E1	H2	H3
10	29	58	206	92	180	75
15	29	58	206	92	180	75
20	34,5	69	217	92	180	75
25	39	74	222	92	180	75
32	46	91	239	92	180	75
40	52	97	245	92	180	75
50	62	114	261	92	180	75

Standard: cable glands ISO M20 or  
Multi-voltage/control actuator: cable plug DIN EN 175301-803



Ordering chart (further versions on request)

Orifice (mm)	Port connection Ø (mm)	Kv-value water (m³/h)	Pressure range PVC-U, PVDF (bar)	Pressure range PP (bar)	Rotation time for 90° (s)	Voltage	Item no. True union PVC-U	Item no. True union PP
<b>Seal material PTFE/EPDM</b>								
10	16	4.8	0-16	0-10	10	100-240V AC/50-60 Hz	178 702	178 759
15	20	12	0-16	0-10	10		178 703	178 760
20	25	23	0-16	0-10	10		178 704	178 761
25	32	46	0-16	0-10	20		178 705	178 762
32	40	66	0-16	0-10	20		178 706	178 763
40	50	105	0-16	0-10	20		178 707	178 764
50	63	204	0-10	0-10	20		178 708	178 765
10	16	4.8	0-16	0-10	20		024 V/AC DC	178 709
15	20	12	0-16	0-10	20	178 710		178 767
20	25	23	0-16	0-10	20	178 711		178 768
25	32	46	0-16	0-10	20	178 712		178 769
32	40	66	0-16	0-10	20	178 713		178 770
40	50	105	0-16	0-10	20	178 714		178 771
50	63	204	0-10	0-10	20	178 715		178 772
<b>Seal material PTFE/FKM</b>								
10	16	4.8	0-16	0-10	10	100-240V AC/50-60 Hz	178 740	178 841
15	20	12	0-16	0-10	10		178 741	178 843
20	25	23	0-16	0-10	10		178 742	178 293
25	32	46	0-16	0-10	20		178 743	178 988
32	40	66	0-16	0-10	20		178 744	178 989
40	50	105	0-16	0-10	20		178 745	178 993
50	63	204	0-10	0-10	20		178 746	178 994
10	16	4.8	0-16	0-10	20		024 V/AC DC	178 747
15	20	12	0-16	0-10	20	178 748		178 996
20	25	23	0-16	0-10	20	178 749		179 113
25	32	46	0-16	0-10	20	178 751		179 114
32	40	66	0-16	0-10	20	179 291		179 115
40	50	105	0-16	0-10	20	178 753		179 116
50	63	204	0-10	0-10	20	178 754		179 117

**i Further versions on request**

**Materials**  
Body: PVDF, PVC-C, ABS

**Voltage**  
Non-standard voltages

**Electrical connection**  
Cable plug acc. to EN 175301-803

**Additional**  
Positioner card with normal input signal 4-20 mA or 0-10 V  
Feedback through Potentiometer or 4-20 mA analog signal  
Slow rotation version  
3-position actuator (90° or 180°)  
Heating resistor 10 W  
Fail safe version

**Accessories**

Description	Item no.
Key for adjustment of limit switches	665 296

Spacer plate and thread insert for mounting on control panel or wall on request.

**Note**  
You can fill out the fields directly in the PDF file before printing out the form.

**Ball valve and butterfly valve - Request for quotation**

▶ Please fill out and send to your nearest Bürkert facility\* with your inquiry or order

Company	Contact person
Customer No	Department
Address	Tel./Fax
Postcode/Town	E-mail

Quantity  Required delivery date

**Operating data**

Pipeline DN  PN

Pipe material

Process medium

Type of media  Liquid  Steam  Gas

	Min	Standard	Max	Unit
Flow rate (Q, Q <sub>N</sub> , W) <sup>1)</sup>	<input type="text"/>	<input type="text"/>	<input type="text"/>	<input type="text"/>
Media temperature	<input type="text"/>	<input type="text"/>	<input type="text"/>	<input type="text"/>
Operating pressure	<input type="text"/>	<input type="text"/>	<input type="text"/>	<input type="text"/>

<sup>1)</sup>Standard unit  
Liquid Q = m<sup>3</sup>/h; Steam W = Kg/h; Gas Q<sub>N</sub> = Nm<sup>3</sup>/h

**Valve features**

Type  Ball valve  Butterfly valve

Body material  Stainless steel  PVC-C  PVC-U  PP  PVDF  other

Seal material  PTFE/EPDM<sup>2)</sup>  PTFE/FKM<sup>2)</sup>  EPDM  FKM  other

Nominal pressure PN

Orifice DN

Type of connection  Flange  True union  Welded  Int. thread  Ext. thread  Clamp

Standard connection  ISO  DIN  ANSI  JIS  other

Pilot pressure  min.  max.

<sup>2)</sup> Only ball valve

**Mode of actuation**

Manual

Pneumatic

Control function A: NC by spring action

Double-acting

Electric actuator

Function  On/Off function  Control actuator with analog signal input

Power supply  230 V AC  24 V AC  24 V DC  other

\* To find your nearest Bürkert facility, click on the orange box → [www.burkert.com](http://www.burkert.com)

DTS 1000089995 EN Version: B Status: RL (released | freigegeben | validé) printed: 08.01.2009