



2/2-way ball valve with electric rotary actuator, ball valve in stainless steel, DN 10-65

- Suitable for aggressive media
- High flow rate valve
- Actuator with adjustable limit switches
- Visual position indicator

Type 8804 can be combined with...



Type 2672
Metal butterfly valve



Type 2675
Plastic butterfly valve



Type 8804
Plastic ball valve

The electric ball valve Type 8804 consists of an electrical rotary actuator and a 2/2-way or 3/2-way ball valve made of stainless steel. 2-way variants are available with a 2-piece or 3-piece ball valve for various applications. The 3-way version is offered with L or T bore holes (on request). The rotary actuator is compactly built. It can be used also as single device for the operation of other control members (see datasheet Type 3003).

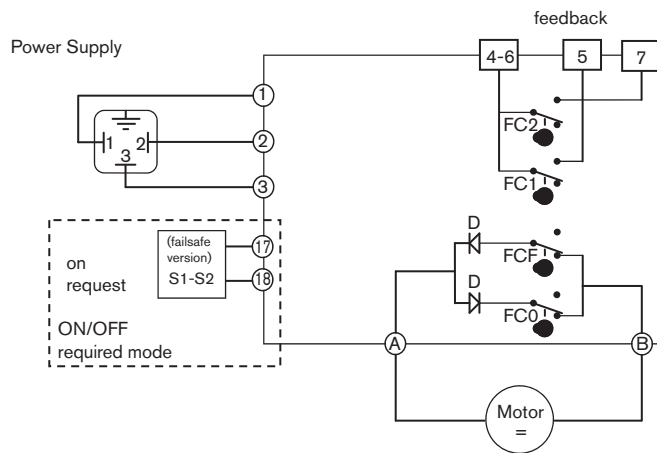
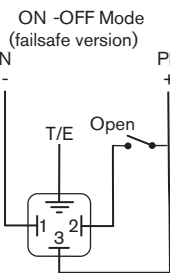
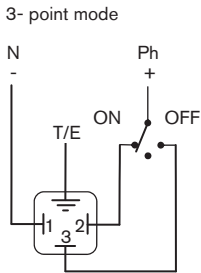
Technical Data	
Body material	Stainless steel 1.4408
Seal material	PTFE
Medium	Gaseous and liquid media, which do not attack the housing and sealing materials
Medium temperature	-10 to +130°C
Ambient temperature	-10 to +55°C
Port connection	-Threaded port G 1/4" to G2 1/2" -Weld end acc. to EN ISO 1127/ISO 4200 (on request)
Operating pressure	0-63 bar: 0-100 bar
Connection between actuator and ball valve	Flange acc. to ISO 5211
Operating voltage	24 V AC/DC, 100-240 V AC / 50-60 Hz (other voltages on request)
Voltage tolerance	DC: +/-20%; AC: +/-10%
Duty rating	At max. torque: 50% of the time
Electrical connection	2 cable glands ISO M20 (cable plug EN175301-803 on request)
Protection class	IP65
Rotation angle	90° (+/-5°)
Rotation time	see ordering chart
Limit switches	4 adjustable - (2 for motor and 2 additional for feedback) max. 230 V / 5A
Elec. actuator material	Cover: ABS Body: PA Axis/Screws: Stainless steel gearbox: Steel, PC
Installation	Don't mount the actuator upside down

Electrical connection

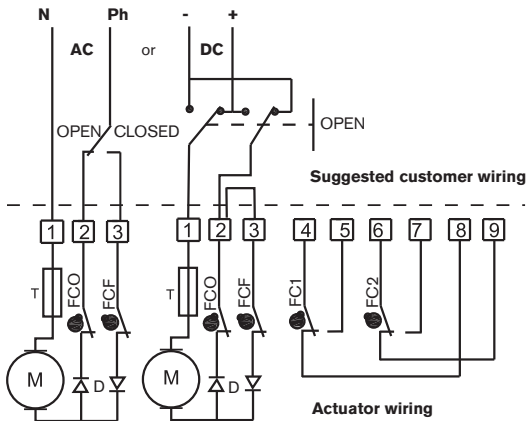
Switch drawings

100-240 V AC/50-60 Hz multi-volt version

Recommended Wiring



24 V AC/DC standard version



Symbol	Description
FCO	Open limit switch
FCF	Close limit switch
FC1	Auxiliary 1 limit switch
FC2	Auxiliary 1 limit switch
M	Motor
T	Thermal fuse

Symbol	Description
D	Diode
C	Capacitor
P	Potentiometer
H	Heating resistor
J7	Heating resistor connection
J8	Potentiometer connector

Ordering chart (further versions on request)

2/2-way ball valve with threaded port connection

Orifice (mm)	Port connection (inches)	Kv-value water (m ³ /h)	Pressure range (bar) 2-piece	Pressure range (bar) 3-pieces	Rotation time for 90° (s)	Voltage	Item no. 2-piece	Item no. 3-piece
10	G 1/4	7	0-100	0-63	20	230 V / 50 Hz	172 733	172 764
12	G 3/8	9	0-100	0-63	20		172 734	172 765
15	G 1/2	35	0-100	0-63	20		172 735	172 766
20	G 3/4	46	0-100	0-63	20		172 736	172 767
25	G 1	72	0-100	0-63	9		172 737	172 769
32	G 1 1/4	105	0-100	0-63	9	230 V / 50-60 Hz	172 738	172 770
40	G 1 1/2	170	0-100	0-63	9		172 739	172 772
50	G 2	275	0-100	0-63	17		172 740	172 774
65	G 2 1/2	507	-	0-63	28		on request	172 775
10	G 1/4	7	0-100	0-63	20		024 V/AC DC	172 754
12	G 3/8	9	0-100	0-63	20	172 755		172 780
15	G 1/2	35	0-100	0-63	20	172 756		172 781
20	G 3/4	46	0-100	0-63	20	172 757		172 782
25	G 1	72	0-100	0-63	9	172 758		172 783
32	G 1 1/4	105	0-100	0-63	9	172 759		172784
40	G 1 1/2	170	0-100	0-63	9	172 760		172 786
50	G 2	275	0-100	0-63	17	172 761		172 787
65	G 2 1/2	507	-	0-63	28	on request		172 788

i Further versions on request



Voltage

Non-standard voltages



Electrical connection

Cable plug acc. to EN 175301-803



Additional

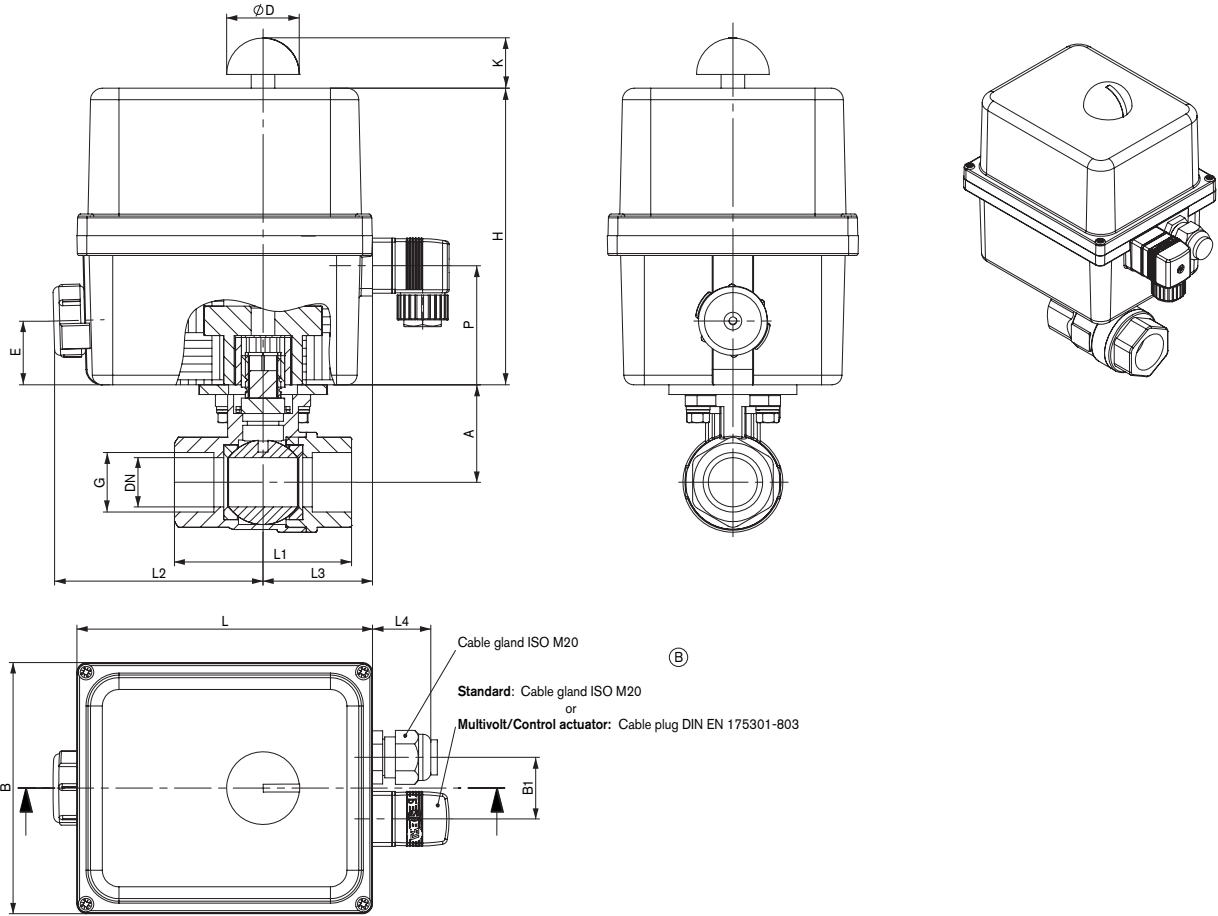
Positioner card with normal signal input 4-20 mA or 0-10 V
Feedback through Potentiometer or 4-20 mA analog signal
Slow rotation version
3-position actuator (90° or 180°)
Heating resistor 10 W

Accessories

Description	Item no.
Key for adjustment of limit switches	665 296

Dimensions [mm]

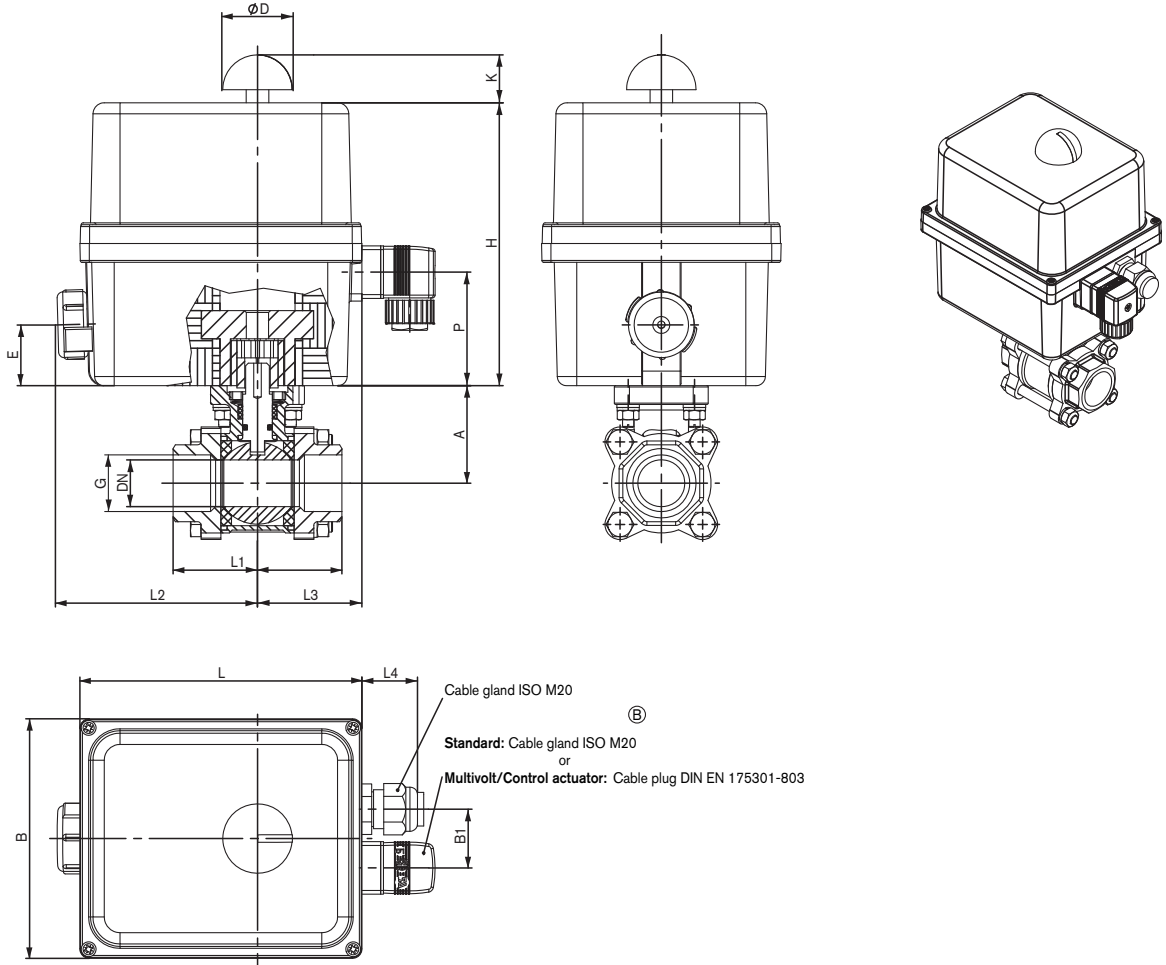
Ball Valve, 2-piece



Actuator	DN	G	A	B	B1	ØD	E	H	K	L	L1	L2	L3	L4	P
20Nm	10.0	1/4"	33.2	91.7	30.0	37.1	23.5	123.7	24.5	136.5	50.0	103.6	45.4	29.7	47.0
	13.0	3/8"	33.2								60.0				
	15.0	1/2"	35								75.0				
	20.0	3/4"	41								80.0				
35-100Nm	10.0	1/4"	44.2	127.7	31.3	37.1	32.5	150.8	25.5	150.3	50.0	106.3	55.7	29.7	60.5
	13.0	3/8"	44.2								60.0				
	15.0	1/2"	46.0								75.0				
	20.0	3/4"	41.0								80.0				
	25.0	1"	44.5								90.0				
	32.0	1 1/4"	49.5								110.0				
	40.0	1 1/2"	55.0								120.0				
	50.0	2"	66.5								140.0				
65.0	2 1/2"	101.0	185.0												

Dimensions [mm]

Ball Valve, 3-piece



Actuator	DN	G	A	B	B1	ØD	E	H	K	L	L1	L2	L3	L4	P
20Nm	10	1/4"	40	91.7	30.0	37.1	23.5	123.7	24.5	136.5	65	103.6	45.4	29.7	47.0
	12	3/8"									75				
	15	1/2"	80												
	20	3/4"	80												
35-100Nm	10	1/4"	40	127.7	31.3	37.1	32.5	150.8	25.5	150.3	65	106.3	55.7	29.7	60.5
	12	3/8"									75				
	15	1/2"	80												
	20	3/4"	90												
	25	1"	110												
	32	1 1/4"	120												
	40	1 1/2"	140												
	50	2"	185												
65	2 1/2"	185													

Note
You can fill out the fields directly in the PDF file before printing out the form.

Ball valve and butterfly valve - Request for quotation

▶ Please fill out and send to your nearest Bürkert facility* with your inquiry or order

Company	Contact person
Customer No	Department
Address	Tel./Fax
Postcode/Town	E-mail

Quantity Required delivery date

Operating data

Pipeline DN PN
Pipe material
Process medium
Type of media Liquid Steam Gas

Flow rate (Q, Q _N , W) ¹⁾	Min	Standard	Max	Unit
Media temperature	<input type="text"/>	<input type="text"/>	<input type="text"/>	<input type="text"/>
Operating pressure	<input type="text"/>	<input type="text"/>	<input type="text"/>	<input type="text"/>

¹⁾Standard unit
Liquid Q = m³/h; Steam W = Kg/h; Gas Q_N = Nm³/h

Valve features

Type Ball valve Butterfly valve
Body material Stainless steel PVC-C PVC-U PP PVDF other
Seal material PTFE/EPDM²⁾ PTFE/FKM²⁾ EPDM FKM other
Nominal pressure PN
Orifice DN
Type of connection Flange True union Welded Int. thread Ext. thread Clamp
Standard connection ISO DIN ANSI JIS other
Pilot pressure min. max.

²⁾ Only ball valve

Mode of actuation

Manual
 Pneumatic
 Control function A: NC by spring action
 Double-acting
 Electric actuator
Function On/Off function Control actuator with analog signal input
Power supply 230 V AC 24 V AC 24 V DC other

To find your nearest Bürkert facility, click on the orange box → www.burkert.com

DTS 1000082140 EN Version: H Status: RL (released | freigegeben | valide) printed: 30.03.2009